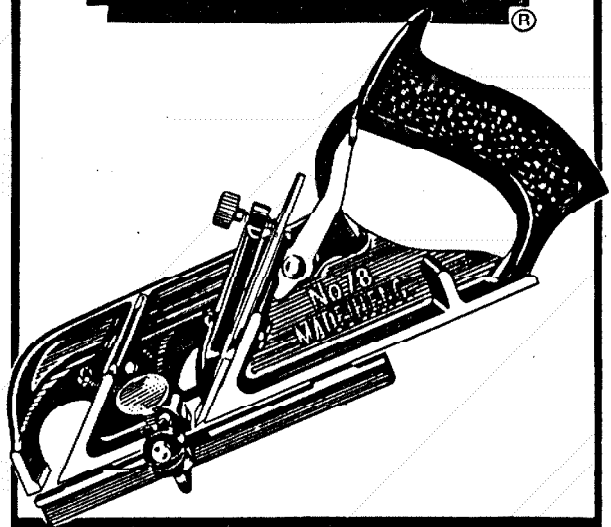


STANLEY

®



**Duplex
Rabbet Plane
No. 78**

STANLEY No. 78

Duplex RABBET PLANE

INTRODUCTION.

This Plane has two positions for the Cutter; the rear position for regular work and the forward position for bull-nose work such as "stopped rebates". When used in the usual rear position, the Cutter is adjustable for depth of cut. The Plane is fitted with a Spur, an Adjustable Fence and an Adjustable Depth Gauge. The Adjustable Fence can be fitted on either side of the Plane.

USES.

Rebates are used on window and door frames, for fitting backs into Carcase work and many other applications including various joints such as secret-lap dovetailing.

TO ASSEMBLE.

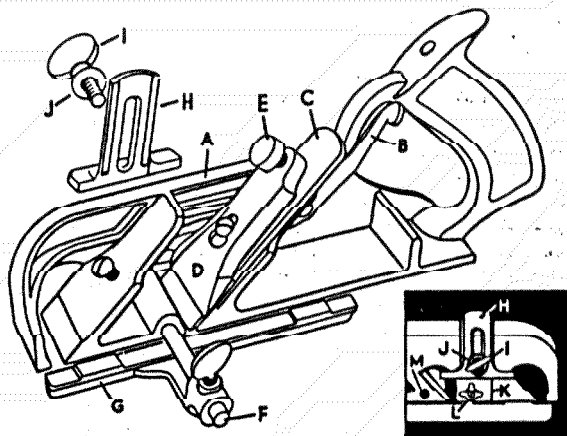
Using the illustration on the opposite page, fit both the Depth Gauge and Fence. The Washer "J" is used on the Depth Gauge Screw.

CUTTER SHARPENING AND ADJUSTMENT.

A new Cutter will require honing on a good flat oilstone. See that the cutting edge is kept square to the side of the Cutter and absolutely straight.

See also that the corners are square as rounded or blunt corners will result in poor rebates and difficulty in controlling the Plane.

When sharpened, the Cutter is fitted into the Plane with the bevel downwards. Before tightening down the Lever Screw "E", ensure that the sides of the Cutter and the Lever are flush with the machined side of the Plane Body and that the cutting edge itself projects evenly from the Sole of the Plane. The Lever controls the shavings, and if wrongly positioned may cause clogging.



- | | |
|-------------------------------|-----------------------|
| A — PLANE BODY | F — FENCE ARM |
| B — ADJUSTING LEVER | G — FENCE |
| C — PLANE IRON OR CUTTER | H — DEPTH GAUGE |
| D — LEVER | I — DEPTH GAUGE SCREW |
| E — LEVER SCREW | J — WASHER |
| K — "V" SLIDE FOR DEPTH GAUGE | |
| L — SPUR | |
| M — SCREW HOLE FOR FENCE ARM | |

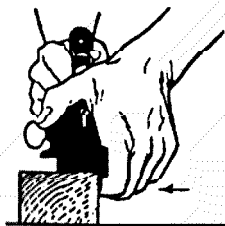
(When ordering replacement parts please refer to name of part and number of Plane, thus: Lever Screw for No. 70 Rabbet Plane. Where possible include a rough sketch or tracing of part required).

USE OF SPUR

The Spur "L" is shown in the correct position for rebating with the grain of the wood. This Spur must, however, be brought into use for working across the grain when it cuts the fibres of the wood in front of the Cutter, leaving a clean finish to the rebate. To use the Spur, slacken the retaining screw until the Spur can be turned clockwise through 90°, so that the sharpened Knife protrudes below the Plane Sole. This Spur must be kept sharp, and being small is best held in a pair of pliers whilst being sharpened with a fine-cut file or oilstone.

HANDLING.

Knowing the width and depth of the rebate, set the Fence and Depth Gauge to these measurements. The measurement to set the Fence is made in a line with the Fence Arm. Holding the Plane level and upright start the rebate at the further end of the wood and work gradually backwards until you are able to take off the final shaving, the full length of the rebate. Ensure that the left hand exerts pressure sideways to keep the Fence in complete contact with the wood. (The illustration shows the correct way to hold the plane). When the rebate is "stopped", or does not go the full length of the work, the Cutter should be fitted in the forward position in the Plane Body. Very occasionally a rebate has to be worked on the opposite side of a wide piece of wood, and, in such a case, the Fence and Fence Arm should be transferred to the right hand side of the Plane. (Screwhole "M" on diagram).



STANLEY®

THE TOOL BOX OF THE WORLD

MADE BY

STANLEY TOOLS LTD.